

# City Power Monitor

*Know when the city power goes off and your gear is running on the UPS*

- Input voltage range: 100 - 240 VAC
- Get notification immediately of outage
- Connects to the I/O ports
- Receive e-mail, pages on power outage

When the city power fails, the UPS takes over running the equipment. The time for operation can be minutes or hours before the battery is exhausted.

Add to this that, the air conditioning or the room is probably inoperative and your gear is getting hot.

Up to three CPM units can be used.

The standard CM-2 graphing functions are used which will show if city power has been interrupted.

## Specifications

Input Range: 100 to 240 VAC

Output: 0 to 5 VDC

Current draw: <20 ma.

Cable to monitor: 36", 22 AWG solid

Attach: I/O port (C123C)

Enclosure: black plastic wall transformer

Dimensions: 3" L x 2.25" H x 0.5" W

Response time: 10 seconds plus Internet data communication time.

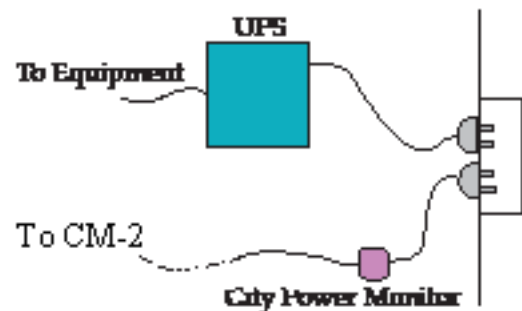
## Connections

GREEN CM-2 analog I/O terminal block, C terminal (ground)

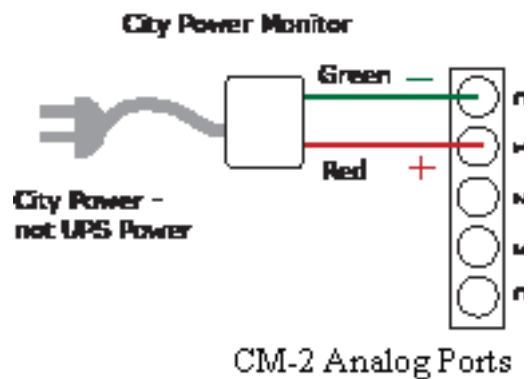
RED CM-2 analog I/O terminal block, analog input "1", "2", or "3"



The CPM contains a wall transformer and a voltage converter. It plugs into a standard 15 or 20 amp wall receptacle. Up to three can be attached to a CM-2.



*The CPM must be connected directly to a receptacle supplying city power and not to the UPS power. Graphs will show loss of city power.*



*Wiring is simple: the city power monitor converts the line voltage into a 5 VDC signal. When the power fails, the voltage goes to zero and an alarm can be generated. Wiring lengths over 100' can be used.*